

**STANDARD AGRICULTURAL IMPACT MITIGATION AGREEMENT**

between  
**Dietrich Road Solar 1, LLC**

and the  
**ILLINOIS DEPARTMENT OF AGRICULTURE**  
Pertaining to the Construction of a Commercial Solar Energy Facility  
in  
**Kane** County, Illinois

Pursuant to the Renewable Energy Facilities Agricultural Impact Mitigation Act (505 ILCS 147), the following standards and policies are required by the Illinois Department of Agriculture (IDOA) to help preserve the integrity of any Agricultural Land that is impacted by the Construction and Deconstruction of a Commercial Solar Energy Facility. They were developed with the cooperation of agricultural agencies, organizations, Landowners, Tenants, drainage contractors, and solar energy companies to comprise this Agricultural Impact Mitigation Agreement (AIMA).

Dietrich Road Solar 1, LLC, hereafter referred to as Commercial Solar Energy Facility Owner, or simply as Facility Owner, plans to develop and/or operate a 4.99MW Commercial Solar Energy Facility in Kane County [GPS Coordinates: 42.146439, -88.488542], which will consist of up to 32 acres that will be covered by solar facility related components, such as solar panel arrays, racking systems, access roads, an onsite underground collection system, inverters and transformers and any affiliated electric transmission lines. This AIMA is made and entered between the Facility Owner and the IDOA.

If Construction does not commence within four years after this AIMA has been fully executed, this AIMA shall be revised, with the Facility Owner's input, to reflect the IDOA's most current Solar Farm Construction and Deconstruction Standards and Policies. This AIMA, and any updated AIMA, shall be filed with the County Board by the Facility Owner prior to the commencement of Construction.

The below prescribed standards and policies are applicable to Construction and Deconstruction activities occurring partially or wholly on privately owned agricultural land.

**Conditions of the AIMA**

The mitigative actions specified in this AIMA shall be subject to the following conditions:

- A. All Construction or Deconstruction activities may be subject to County or other local requirements. However, the specifications outlined in this AIMA shall be the minimum standards applied to all Construction or Deconstruction activities. IDOA may utilize any legal means to enforce this AIMA.
- B. Except for Section 17. B. through F., all actions set forth in this AIMA are subject to modification through negotiation by Landowners and the Facility Owner, provided such changes are negotiated in advance of the respective Construction or Deconstruction activities.
- C. The Facility Owner may negotiate with Landowners to carry out the actions that Landowners wish to perform themselves. In such instances, the Facility Owner shall offer Landowners the area commercial rate for their machinery and labor costs.

- D. All provisions of this AIMA shall apply to associated future Construction, maintenance, repairs, and Deconstruction of the Facility referenced by this AIMA.
- E. The Facility Owner shall keep the Landowners and Tenants informed of the Facility's Construction and Deconstruction status, and other factors that may have an impact upon their farming operations.
- F. The Facility Owner shall include a statement of its adherence to this AIMA in any environmental assessment and/or environmental impact statement.
- G. Execution of this AIMA shall be made a condition of any Conditional/Special Use Permit. Not less than 30 days prior to the commencement of Construction, a copy of this AIMA shall be provided by the Facility Owner to each Landowner that is party to an Underlying Agreement. In addition, this AIMA shall be incorporated into each Underlying Agreement.
- H. The Facility Owner shall implement all actions to the extent that they do not conflict with the requirements of any applicable federal, state and local rules and regulations and other permits and approvals that are obtained by the Facility Owner for the Facility.
- I. No later than 45 days prior to the Construction and/or Deconstruction of a Facility, the Facility Owner shall provide the Landowner(s) with a telephone number the Landowner can call to alert the Facility Owner should the Landowner(s) have questions or concerns with the work which is being done or has been carried out on his/her property.
- J. If there is a change in ownership of the Facility, the Facility Owner assuming ownership of the Facility shall provide written notice within 90 days of ownership transfer, to the Department, the County, and to Landowners of such change. The Financial Assurance requirements and the other terms of this AIMA shall apply to the new Facility Owner.
- K. The Facility Owner shall comply with all local, state and federal laws and regulations, specifically including the worker protection standards to protect workers from pesticide exposure.
- L. Within 30 days of execution of this AIMA, the Facility Owner shall use Best Efforts to provide the IDOA with a list of all Landowners that are party to an Underlying Agreement and known Tenants of said Landowner who may be affected by the Facility. As the list of Landowners and Tenants is updated, the Facility Owner shall notify the IDOA of any additions or deletions.
- M. If any provision of this AIMA is held to be unenforceable, no other provision shall be affected by that holding, and the remainder of the AIMA shall be interpreted as if it did not contain the unenforceable provision.

### Definitions

**Abandonment**

When Deconstruction has not been completed within 12 months after the Commercial Solar Energy Facility reaches the end of its useful life. For purposes of this definition, a Commercial Solar Energy Facility shall be presumed to have reached the end of its useful life if the Commercial Solar Energy Facility Owner fails, for a period of 6 consecutive months, to pay the Landowner amounts owed in accordance with an Underlying Agreement.

Aboveground Cable	Electrical power lines installed above ground surface to be utilized for conveyance of power from the solar panels to the solar facility inverter and/or point of interconnection to utility grid or customer electric meter.
Agricultural Impact Mitigation Agreement (AIMA)	The Agreement between the Facility Owner and the Illinois Department of Agriculture (IDOA) described herein.
Agricultural Land	Land used for Cropland, hayland, pastureland, managed woodlands, truck gardens, farmsteads, commercial ag-related facilities, feedlots, livestock confinement systems, land on which farm buildings are located, and land in government conservation programs used for purposes as set forth above.
Best Efforts	Diligent, good faith, and commercially reasonable efforts to achieve a given objective or obligation.
Commercial Operation Date	The calendar date of which the Facility Owner notifies the Landowner, County, and IDOA in writing that commercial operation of the facility has commenced. If the Facility Owner fails to provide such notifications, the Commercial Operation Date shall be the execution date of this AIMA plus 6 months.
Commercial Solar Energy Facility (Facility)	A solar energy conversion facility equal to or greater than 500 kilowatts in total nameplate capacity, including a solar energy conversion facility seeking an extension of a permit to construct granted by a county or municipality before June 29, 2018. "Commercial solar energy facility" does not include a solar energy conversion facility: (1) for which a permit to construct has been issued before June 29, 2018; (2) that is located on land owned by the commercial solar energy facility owner; (3) that was constructed before June 29, 2018; or (4) that is located on the customer side of the customer's electric meter and is primarily used to offset that customer's electricity load and is limited in nameplate capacity to less than or equal to 2,000 kilowatts.
Commercial Solar Energy Facility Owner deemed (Facility Owner)	A person or entity that owns a commercial solar energy facility. A Commercial Solar Energy Facility Owner is not nor shall it be to be a public utility as defined in the Public Utilities Act.
County	The County or Counties where the Commercial Solar Energy Facility is located.
Construction	The installation, preparation for installation and/or repair of a Facility.
Cropland	Land used for growing row crops, small grains or hay; includes land which was formerly used as cropland, but is currently enrolled in a government conservation program; also includes pastureland that is classified as Prime Farmland.

Deconstruction	The removal of a Facility from the property of a Landowner and the restoration of that property as provided in the AIMA.
Deconstruction Plan	A plan prepared by a Professional Engineer, at the Facility's expense, that includes: <ol style="list-style-type: none"><li>(1) the estimated Deconstruction cost, in current dollars at the time of filing, for the Facility, considering among other things:<ol style="list-style-type: none"><li>i. the number of solar panels, racking, and related facilities involved;</li><li>ii. the original Construction costs of the Facility;</li><li>iii. the size and capacity, in megawatts of the Facility;</li><li>iv. the salvage value of the facilities (if all interests in salvage value are subordinate to that of the Financial Assurance holder if abandonment occurs);</li><li>v. the Construction method and techniques for the Facility and for other similar facilities; and</li></ol></li><li>(2) a comprehensive detailed description of how the Facility Owner plans to pay for the Deconstruction of the Facility.</li></ol>
Department	The Illinois Department of Agriculture (IDOA).
Financial Assurance	A reclamation or surety bond or other commercially available financial assurance that is acceptable to the County, with the County or Landowner as beneficiary.
Landowner	Any person with an ownership interest in property that is used for agricultural purposes and that is party to an Underlying Agreement.
Prime Farmland	Agricultural Land comprised of soils that are defined by the USDA Natural Resources Conservation Service (NRCS) as "Prime Farmland" (generally considered to be the most productive soils with the least input of nutrients and management).
Professional Engineer	An engineer licensed to practice engineering in the State of Illinois.
Soil and Water Conservation District (SWCD)	A unit of local government that provides technical and financial assistance to eligible Landowners for the conservation of soil and water resources.
Tenant	Any person, apart from the Facility Owner, lawfully residing or leasing/renting land that is subject to an Underlying Agreement.
Topsoil	The uppermost layer of the soil that has the darkest color or the highest content of organic matter; more specifically, it is defined as the "A" horizon.
Underlying Agreement	The written agreement between the Facility Owner and the Landowner(s) including, but not limited to, an easement, option, lease, or license under the terms of which another person has constructed, constructs, or intends to construct a Facility on the property of the Landowner.

Underground Cable	Electrical power lines installed below the ground surface to be utilized for conveyance of power within a Facility or from a Commercial Solar Energy Facility to the electric grid.
USDA Natural Resources Conservation Service (NRCS)	An agency of the United States Department of Agriculture that provides America's farmers with financial and technical assistance to aid with natural resources conservation.

### **Construction and Deconstruction Standards and Policies**

#### **1. Support Structures**

- A. Only single pole support structures shall be used for the Construction and operation of the Facility on Agricultural Land. Other types of support structures, such as lattice towers or H-frames, may be used on nonagricultural land.
- B. Where a Facility's Aboveground Cable will be adjacent and parallel to highway and/or railroad right-of-way, but on privately owned property, the support structures shall be placed as close as reasonably practicable and allowable by the applicable County Engineer or other applicable authorities to the highway or railroad right-of-way. The only exceptions may be at jogs or weaves on the highway alignment or along highways or railroads where transmission and distribution lines are already present.
- C. When it is not possible to locate Aboveground Cable next to highway or railroad right-of-way, Best Efforts shall be expended to place all support poles in such a manner to minimize their placement on Cropland (i.e., longer than normal above ground spans shall be utilized when traversing Cropland).

#### **2. Aboveground Facilities**

Locations for facilities shall be selected in a manner that is as unobtrusive as reasonably possible to ongoing agricultural activities occurring on the land that contains or is adjacent to the Facility.

#### **3. Guy Wires and Anchors**

Best Efforts shall be made to place guy wires and their anchors, if used, out of Cropland, pastureland and hayland, placing them instead along existing utilization lines and on land other than Cropland. Where this is not feasible, Best Efforts shall be made to minimize guy wire impact on Cropland. All guy wires shall be shielded with highly visible guards.

#### **4. Underground Cabling Depth**

- A. Underground electrical cables located outside the perimeter of the (fence) of the solar panels shall be buried with:
  1. a minimum of 5 feet of top cover where they cross Cropland.
  2. a minimum of 5 feet of top cover where they cross pastureland or other non-Cropland classified as Prime Farmland.
  3. a minimum of 3 feet of top cover where they cross pastureland and other Agricultural Land not classified as Prime Farmland.

4. a minimum of 3 feet of top cover where they cross wooded/brushy land.
  - B. Provided that the Facility Owner removes the cables during Deconstruction, underground electric cables may be installed to a minimum depth of 18 inches:
    1. Within the fenced perimeter of the Facility; or
    2. When buried under an access road associated with the Facility provided that the location and depth of cabling is clearly marked at the surface.
  - C. If Underground Cables within the fenced perimeter of the solar panels are installed to a minimum depth of 5 feet, they may remain in place after Deconstruction.
- 5. Topsoil Removal and Replacement**
- A. Any excavation shall be performed in a manner to preserve topsoil. Best Efforts shall be made to store the topsoil near the excavation site in such a manner that it will not become intermixed with subsoil materials.
  - B. Best Efforts shall be made to store all disturbed subsoil material near the excavation site and separate from the topsoil.
  - C. When backfilling an excavation site, Best Efforts shall be used to ensure the stockpiled subsoil material will be placed back into the excavation site before replacing the topsoil.
  - D. Refer to Section 7 for procedures pertaining to rock removal from the subsoil and topsoil.
  - E. Refer to Section 8 for procedures pertaining to the repair of compaction and rutting of the topsoil.
  - F. Best Efforts shall be performed to place the topsoil in a manner so that after settling occurs, the topsoil's original depth and contour will be restored as close as reasonably practicable. The same shall apply where excavations are made for road, stream, drainage ditch, or other crossings. In no instance shall the topsoil materials be used for any other purpose unless agreed to explicitly and in writing by the Landowner.
  - G. Based on the mutual agreement of the landowner and Facility Owner, excess soil material resulting from solar facility excavation shall either be removed or stored on the Landowner's property and reseeded per the applicable National Pollution Discharge Elimination System (NPDES) permit/Stormwater Pollution Prevention Plan (SWPPP). After the Facility reaches the end of its Useful Life, the excess subsoil material shall be returned to an excavation site or removed from the Landowner's property, unless otherwise agreed to by Landowner.
- 6. Rerouting and Permanent Repair of Agricultural Drainage Tiles**
- The following standards and policies shall apply to underground drainage tile line(s) directly or indirectly affected by Construction and/or Deconstruction:
- A. Prior to Construction, the Facility Owner shall work with the Landowner to identify drainage tile lines traversing the property subject to the Underlying Agreement to the extent reasonably practicable. All drainage tile lines identified in this manner shall be shown on the Construction and Deconstruction Plans.

B. The location of all drainage tile lines located adjacent to or within the footprint of the Facility shall be recorded using Global Positioning Systems (GPS) technology. Within 60 days after Construction is complete, the Facility Owner shall provide the Landowner, the IDOA, and the respective County Soil and Water Conservation District (SWCD) with "as built" drawings (strip maps) showing the location of all drainage tile lines by survey station encountered in the Construction of the Facility, including any tile line repair location(s), and any underground cable installed as part of the Facility.

**C. Maintaining Surrounding Area Subsurface Drainage**

If drainage tile lines are damaged by the Facility, the Facility Owner shall repair the lines or install new drainage tile line(s) of comparable quality and cost to the original(s), and of sufficient size and appropriate slope in locations that limit direct impact from the Facility. If the damaged tile lines cause an unreasonable disruption to the drainage system, as determined by the Landowner, then such repairs shall be made promptly to ensure appropriate drainage. Any new line(s) may be located outside of, but adjacent to the perimeter of the Facility. Disrupted adjacent drainage tile lines shall be attached thereto to provide an adequate outlet for the disrupted adjacent tile lines.

**D. Re-establishing Subsurface Drainage Within Facility Footprint**

Following Deconstruction and using Best Efforts, if underground drainage tile lines were present within the footprint of the facility and were severed or otherwise damaged during original Construction, facility operation, and/or facility Deconstruction, the Facility Owner shall repair existing drainage tiles or install new drainage tile lines of comparable quality and cost to the original, within the footprint of the Facility with sufficient capacity to restore the underground drainage capacity that existed within the footprint of the Facility prior to Construction. Such installation shall be completed within 12 months after the end of the useful life of the Facility and shall be compliant with Figures 1 and 2 to this Agreement or based on prudent industry standards if agreed to by Landowner.

E. If there is any dispute between the Landowner and the Facility Owner on the method of permanent drainage tile line repair, the appropriate County SWCD's opinion shall be considered by the Facility Owner and the Landowner.

F. During Deconstruction, all additional permanent drainage tile line repairs beyond those included above in Section 6.D. must be made within 30 days of identification or notification of the damage, weather and soil conditions permitting. At other times, such repairs must be made at a time mutually agreed upon by the Facility Owner and the Landowner. If the Facility Owner and Landowner cannot agree upon a reasonable method to complete this restoration, the Facility Owner may implement the recommendations of the appropriate County SWCD and such implementation constitutes compliance with this provision.

G. Following completion of the work required pursuant to this Section, the Facility Owner shall be responsible for correcting all drainage tile line repairs that fail due to Construction and/or Deconstruction for one year following the completion of Construction or Deconstruction, provided those repairs were made by the Facility Owner. The Facility Owner shall not be responsible for drainage tile repairs that the Facility Owner pays the Landowner to perform.

**7. Rock Removal**

With any excavations, the following rock removal procedures pertain only to rocks found in the uppermost 42 inches of soil, the common freeze zone in Illinois, which emerged or were brought to the site as a result of Construction and/or Deconstruction.

- A. Before replacing any topsoil, Best Efforts shall be taken to remove all rocks greater than 3 inches in any dimension from the surface of exposed subsoil which emerged or were brought to the site as a result of Construction and/or Deconstruction.
- B. If trenching, blasting, or boring operations are required through rocky terrain, precautions shall be taken to minimize the potential for oversized rocks to become interspersed in adjacent soil material.
- C. Rocks and soil containing rocks removed from the subsoil areas, topsoil, or from any excavations, shall be removed from the Landowner's premises or disposed of on the Landowner's premises at a location that is mutually acceptable to the Landowner and the Facility Owner.

**8. Repair of Compaction and Rutting**

- A. Unless the Landowner opts to do the restoration work on compaction and rutting, after the topsoil has been replaced post-Deconstruction, all areas within the boundaries of the Facility that were traversed by vehicles and Construction and/or Deconstruction equipment that exhibit compaction and rutting shall be restored by the Facility Owner. All prior Cropland shall be ripped at least 18 inches deep or to the extent practicable, and all pasture and woodland shall be ripped at least 12 inches deep or to the extent practicable. The existence of drainage tile lines or underground utilities may necessitate less ripping depth. The disturbed area shall then be disked.
- B. All ripping and disking shall be done at a time when the soil is dry enough for normal tillage operations to occur on Cropland adjacent to the Facility.
- C. The Facility Owner shall restore all rutted land to a condition as close as possible to its original condition upon Deconstruction, unless necessary earlier as determined by the Landowner.
- D. If there is any dispute between the Landowner and the Facility Owner as to what areas need to be ripped/disked or the depth at which compacted areas should be ripped/disked, the appropriate County SWCD's opinion shall be considered by the Facility Owner and the Landowner.

**9. Construction During Wet Weather**

Except as provided below, construction activities are not allowed on agricultural land during times when normal farming operations, such as plowing, disking, planting or harvesting, cannot take place due to excessively wet soils. With input from the landowner, wet weather conditions may be determined on a field by field basis.

- A. Construction activities on prepared surfaces, surfaces where topsoil and subsoil have been removed, heavily compacted in preparation, or otherwise stabilized (e.g. through cement mixing) may occur at the discretion of the Facility Owner in wet weather conditions.



- B. Construction activities on unprepared surfaces will be done only when work will not result in rutting which may mix subsoil and topsoil. Determination as to the potential of subsoil and topsoil mixing will be made in consultation with the underlying Landowner, or, if approved by the Landowner, his/her designated tenant or designee.

**10. Prevention of Soil Erosion**

- A. The Facility Owner shall work with Landowners and create and follow a SWPPP to prevent excessive erosion on land that has been disturbed by Construction or Deconstruction of a Facility.
- B. If the Landowner and Facility Owner cannot agree upon a reasonable method to control erosion on the Landowner's property, the Facility Owner shall consider the recommendations of the appropriate County SWCD to resolve the disagreement.
- C. The Facility Owner may, per the requirements of the project SWPPP and in consultation with the Landowner, seed appropriate vegetation around all panels and other facility components to prevent erosion. The Facility Owner must utilize Best Efforts to ensure that all seed mixes will be as free of any noxious weed seeds as possible. The Facility Owner shall consult with the Landowner regarding appropriate varieties to seed.

**11. Repair of Damaged Soil Conservation Practices**

Consultation with the appropriate County SWCD by the Facility Owner shall be carried out to determine if there are soil conservation practices (such as terraces, grassed waterways, etc.) that will be damaged by the Construction and/or Deconstruction of the Facility. Those conservation practices shall be restored to their preconstruction condition as close as reasonably practicable following Deconstruction in accordance with USDA NRCS technical standards. All repair costs shall be the responsibility of the Facility Owner.

**12. Compensation for Damages to Private Property**

The Facility Owner shall reasonably compensate Landowners for damages caused by the Facility Owner. Damage to Agricultural Land shall be reimbursed to the Landowner as prescribed in the applicable Underlying Agreement.

**13. Clearing of Trees and Brush**

- A. If trees are to be removed for the Construction or Deconstruction of a Facility, the Facility Owner shall consult with the Landowner to determine if there are trees of commercial or other value to the Landowner.
- B. If there are trees of commercial or other value to the Landowner, the Facility Owner shall allow the Landowner the right to retain ownership of the trees to be removed and the disposition of the removed trees shall be negotiated prior to the commencement of land clearing.

**14. Access Roads**

- A. To the extent practicable, access roads shall be designed to not impede surface drainage and shall be built to minimize soil erosion on or near the access roads.

- B. Access roads may be left intact during Construction, operation or Deconstruction through mutual agreement of the Landowner and the Facility Owner unless otherwise restricted by federal, state, or local regulations.
- C. If the access roads are removed, Best Efforts shall be expended to assure that the land shall be restored to equivalent condition(s) as existed prior to their construction, or as otherwise agreed to by the Facility Owner and the Landowner. All access roads that are removed shall be ripped to a depth of 18 inches. All ripping shall be performed consistent with Section 8.

**15. Weed/Vegetation Control**

- A. The Facility Owner shall provide for weed control in a manner that prevents the spread of weeds. Chemical control, if used, shall be done by an appropriately licensed pesticide applicator.
- B. The Facility Owner shall be responsible for the reimbursement of all reasonable costs incurred by owners of agricultural land where it has been determined by the appropriate state or county entity that weeds have spread from the Facility to their property. Reimbursement is contingent upon written notice to the Facility Owner. Facility Owner shall reimburse the property owner within 45 days after notice is received.
- C. The Facility Owner shall ensure that all vegetation growing within the perimeter of the Facility is properly and appropriately maintained. Maintenance may include, but not be limited to, mowing, trimming, chemical control, or the use of livestock as agreed to by the Landowner.
- D. The Deconstruction plans must include provisions for the removal of all weed control equipment used in the Facility, including weed-control fabrics or other ground covers.

**16. Indemnification of Landowners**

The Facility Owner shall indemnify all Landowners, their heirs, successors, legal representatives, and assigns from and against all claims, injuries, suits, damages, costs, losses, and reasonable expenses resulting from or arising out of the Commercial Solar Energy Facility, including Construction and Deconstruction thereof, and also including damage to such Facility or any of its appurtenances, except where claims, injuries, suits, damages, costs, losses, and expenses are caused by the negligence or intentional acts, or willful omissions of such Landowners, and/or the Landowners heirs, successors, legal representatives, and assigns.

**17. Deconstruction Plans and Financial Assurance of Commercial Solar Energy Facilities**

- A. Deconstruction of a Facility shall include the removal/disposition of all solar related equipment/facilities, including the following utilized for operation of the Facility and located on Landowner property:
  - 1. Solar panels, cells and modules;
  - 2. Solar panel mounts and racking, including any helical piles, ground screws, ballasts, or other anchoring systems;
  - 3. Solar panel foundations, if used (to depth of 5 feet);

4. Transformers, inverters, energy storage facilities, or substations, including all components and foundations; however, Underground Cables at a depth of 5 feet or greater may be left in place;
  5. Overhead collection system components;
  6. Operations/maintenance buildings, spare parts buildings and substation/switching gear buildings unless otherwise agreed to by the Landowner;
  7. Access Road(s) unless Landowner requests in writing that the access road is to remain;
  8. Operation/maintenance yard/staging area unless otherwise agreed to by the Landowner; and
  9. Debris and litter generated by Deconstruction and Deconstruction crews.
- B. The Facility Owner shall, at its expense, complete Deconstruction of a Facility within twelve (12) months after the end of the useful life of the Facility.
- C. During the County permit process, or if none, then prior to the commencement of construction, the Facility Owner shall file with the County a Deconstruction Plan. The Facility Owner shall file an updated Deconstruction Plan with the County on or before the end of the tenth year of commercial operation.
- D. The Facility Owner shall provide the County with Financial Assurance to cover the estimated costs of Deconstruction of the Facility. Provision of this Financial Assurance shall be phased in over the first 11 years of the Project's operation as follows:
1. On or before the first anniversary of the Commercial Operation Date, the Facility Owner shall provide the County with Financial Assurance to cover ten (10) percent of the estimated costs of Deconstruction of the Facility as determined in the Deconstruction Plan.
  2. On or before the sixth anniversary of the Commercial Operation Date, the Facility Owner shall provide the County with Financial Assurance to cover fifty (50) percent of the estimated costs of Deconstruction of the Facility as determined in the Deconstruction Plan.
  3. On or before the eleventh anniversary of the Commercial Operation Date, the Facility Owner shall provide the County with Financial Assurance to cover one hundred (100) percent of the estimated costs of Deconstruction of the Facility as determined in the updated Deconstruction Plan provided during the tenth year of commercial operation.

The Financial Assurance shall not release the surety from liability until the Financial Assurance is replaced. The salvage value of the Facility may only be used to reduce the estimated costs of Deconstruction if the County agrees that all interests in the salvage value are subordinate or have been subordinated to that of the County if Abandonment occurs.

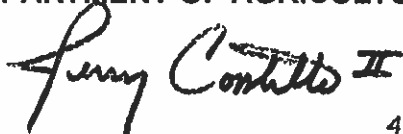
- E. The County may, but is not required to, reevaluate the estimated costs of Deconstruction of any Facility after the tenth anniversary, and every five years thereafter, of the Commercial Operation Date. Based on any reevaluation, the County may require changes in the level of Financial Assurance used to calculate the phased Financial Assurance levels described in Section 17.D. required from the Facility Owner. If the County is unable to its satisfaction to perform the investigations necessary to approve the Deconstruction Plan filed by the Facility Owner, then the County and Facility may mutually agree on the selection of a Professional Engineer independent of the Facility Owner to conduct any necessary investigations. The Facility Owner shall be responsible for the cost of any such investigations.
- F. Upon Abandonment, the County may take all appropriate actions for Deconstruction including drawing upon the Financial Assurance.

**Concurrence of the Parties to this AIMA**

The Illinois Department of Agriculture and Dietrich Road Solar 1, LLC concur that this AIMA is the complete AIMA governing the mitigation of agricultural impacts that may result from the Construction and Deconstruction of the solar farm project in Kane County within the State of Illinois.

The effective date of this AIMA commences on the date of execution.

**STATE OF ILLINOIS  
DEPARTMENT OF AGRICULTURE**



By: Jerry Costello II, Director



By Clay Nordsiek, Deputy General Counsel

**Dietrich Road Solar 1, LLC**



By Nicholas Bellone

55 Technology Drive, Suite 102  
Lowell, MA 01851

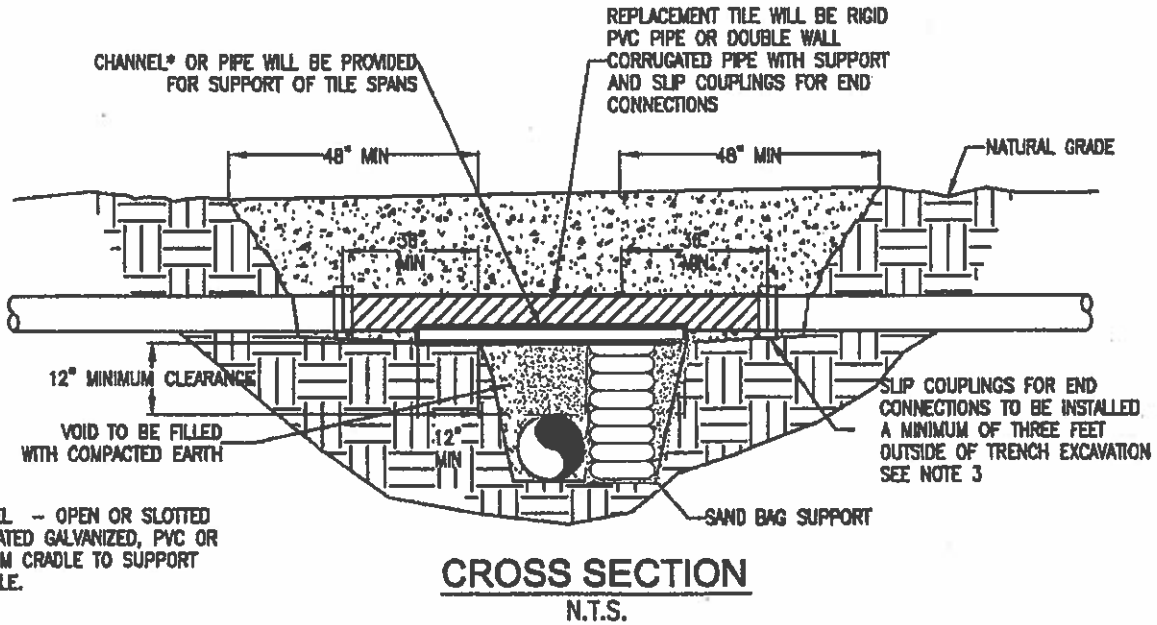
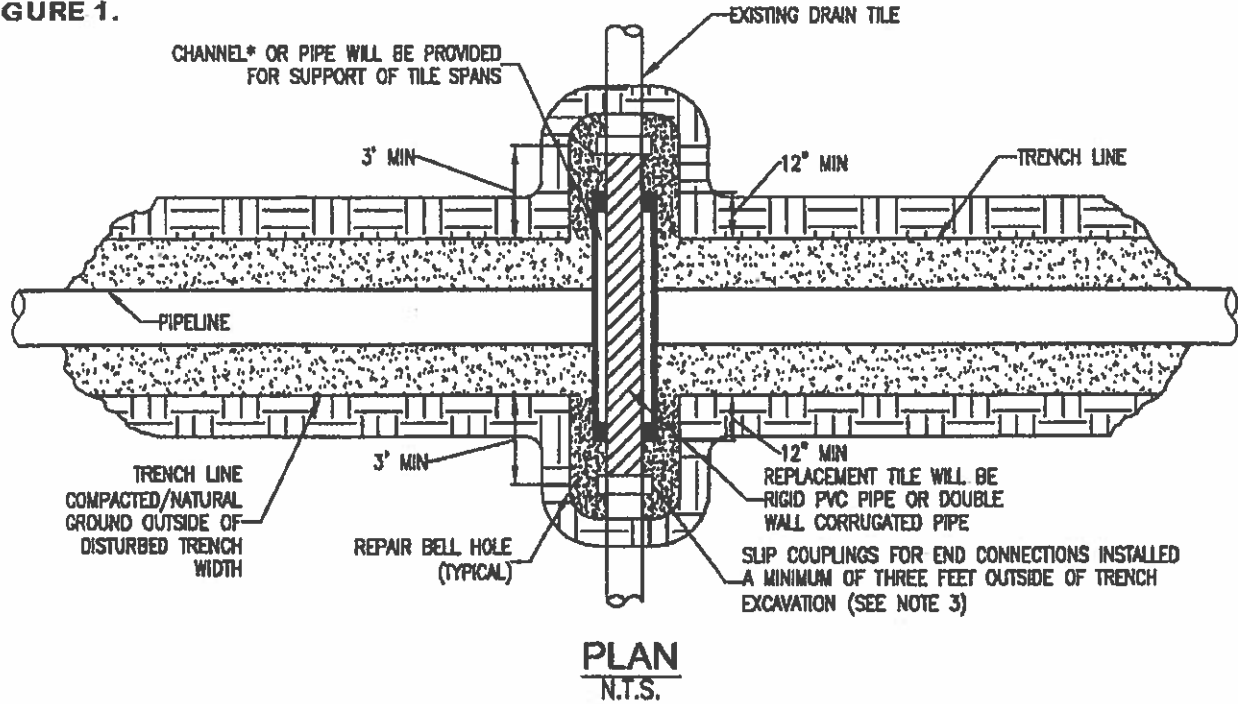
Address

801 E. Sangamon Avenue,  
State Fairgrounds, POB 19281  
Springfield, IL 62794-9281

May 14, 2024

5/31, 2024

**FIGURE 1.**



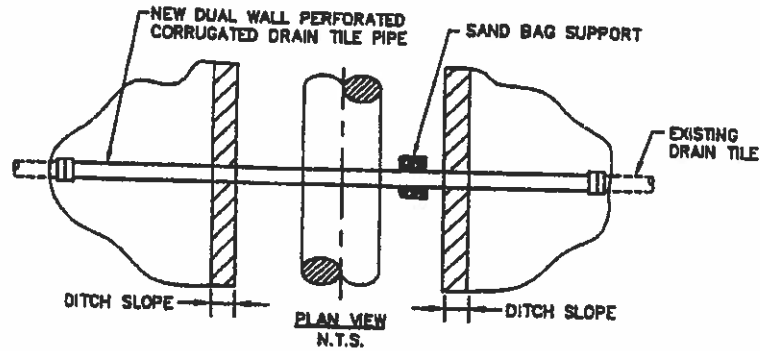
\*CHANNEL - OPEN OR SLOTTED CORRUGATED GALVANIZED, PVC OR ALUMINUM CRADLE TO SUPPORT DRAIN TILE.

**NOTE:**

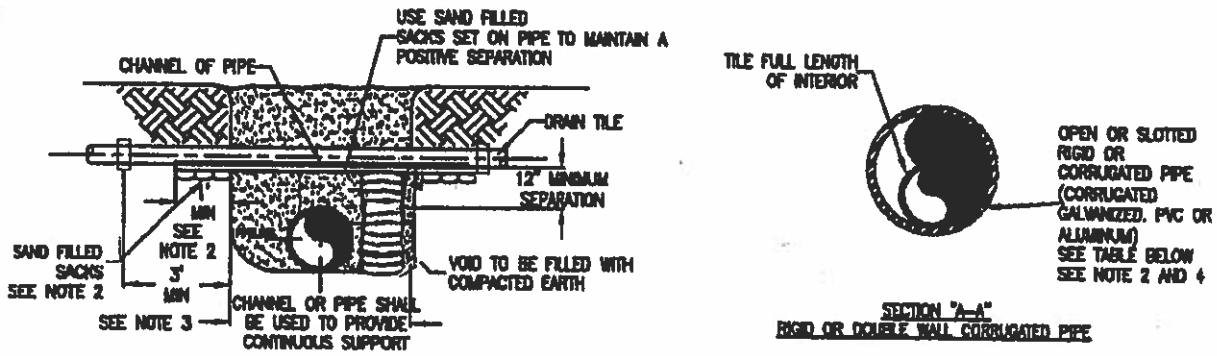
1. IMMEDIATELY REPAIR TILE IF WATER IS FLOWING THROUGH TILE AT TIME OF TRENCHING. IF NO WATER IS FLOWING AND TEMPORARY REPAIR IS DELAYED, OR NOT MADE BY THE END OF THE WORK DAY, A SCREEN OR APPROPRIATE 'NIGHT CAP' SHALL BE PLACED ON OPEN ENDS OF TILE TO PREVENT ENTRAPMENT OF ANIMALS ETC.
2. CHANNEL OR PIPE (OPEN OR SLOTTED) MADE OF CORRUGATED GALVANIZED PIPE, PVC OR ALUMINUM WILL BE USED FOR SUPPORT OF DRAIN TILE SPANS.
3. INDUSTRY STANDARDS SHALL BE FOLLOWED TO ENSURE PROPER SEAL OF REPAIRED DRAIN TILES.

**TEMPORARY DRAIN TILE REPAIR**

**FIGURE 2.**



**PLAN VIEW**



**END VIEWS**

MINIMUM SUPPORT TABLE			
TILE SIZE	CHANNEL SIZE	PIPE SIZE	
3"	4" @ 5.4 #/ft	4"	STD. WT.
4"-5"	5" @ 6.7 #/ft	6"	STD. WT.
6"-9"	7" @ 9.8 #/ft	8"-10"	STD. WT.
10"	10" @ 15.3 #/ft	12"	STD. WT.

**NOTE:**

1. TILE REPAIR AND REPLACEMENT SHALL MAINTAIN ORIGINAL ALIGNMENT GRADIENT AND WATER FLOW TO THE GREATEST EXTENT POSSIBLE. IF THE TILE NEEDS TO BE RELOCATED, THE INSTALLATION ANGLE MAY VARY DUE TO SITE SPECIFIC CONDITIONS AND LANDOWNER RECOMMENDATIONS.
2. 1'-0" MINIMUM LENGTH OF CHANNEL OR RIGID PIPE (OPEN OR SLOTTED CORRUGATED GALVANIZED, PVC OR ALUMINUM CRADLE) SHALL BE SUPPORTED BY UNDISTURBED SOIL, OR IF CROSSING IS NOT AT RIGHT ANGLES TO PIPELINE, EQUIVALENT LENGTH PERPENDICULAR TO TRENCH. SHIM WITH SAND BAGS TO UNDISTURBED SOIL FOR SUPPORT AND DRAINAGE GRADIENT MAINTENANCE (TYPICAL BOTH SIDES).
3. DRAIN TILES WILL BE PERMANENTLY CONNECTED TO EXISTING DRAIN TILES A MINIMUM OF THREE FEET OUTSIDE OF EXCAVATED TRENCH LINE USING INDUSTRY STANDARDS TO ENSURE PROPER SEAL OF REPAIRED DRAIN TILES INCLUDING SLIP COUPLINGS.
4. DIAMETER OF RIGID PIPE SHALL BE OF ADEQUATE SIZE TO ALLOW FOR THE INSTALLATION OF THE TILE FOR THE FULL LENGTH OF THE RIGID PIPE.
5. OTHER METHODS OF SUPPORTING DRAIN TILE MAY BE USED IF ALTERNATE PROPOSED IS EQUIVALENT IN STRENGTH TO THE CHANNEL/PIPE SECTIONS SHOWN AND IF APPROVED BY COMPANY REPRESENTATIVES AND LANDOWNER IN ADVANCE. SITE SPECIFIC ALTERNATE SUPPORT SYSTEM TO BE DEVELOPED BY COMPANY REPRESENTATIVES AND FURNISHED TO CONTRACTOR FOR SPANS IN EXCESS OF 20', TILE GREATER THEN 10" DIAMETER, AND FOR "HEADER" SYSTEMS.
6. ALL MATERIAL TO BE FURNISHED BY CONTRACTOR.
7. PRIOR TO REPAIRING TILE, CONTRACTOR SHALL PROBE LATERALLY INTO THE EXISTING TILE TO FULL WIDTH OF THE RIGHTS OF WAY TO DETERMINE IF ADDITIONAL DAMAGE HAS OCCURRED. ALL DAMAGED/DISTURBED TILE SHALL BE REPAIRED AS NEAR AS PRACTICABLE TO ITS ORIGINAL OR BETTER CONDITION.

**PERMANENT DRAIN TILE REPAIR**